

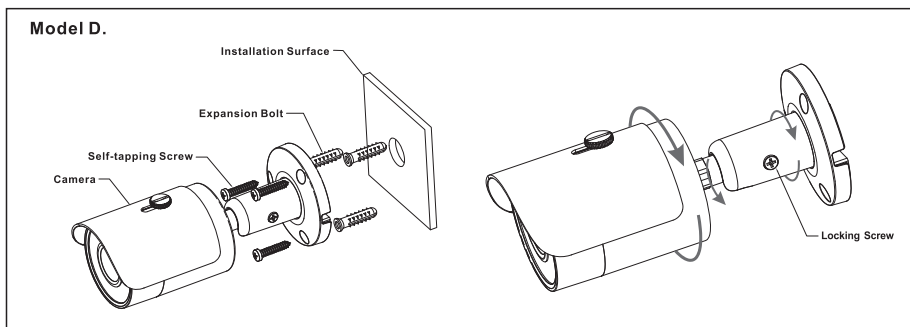
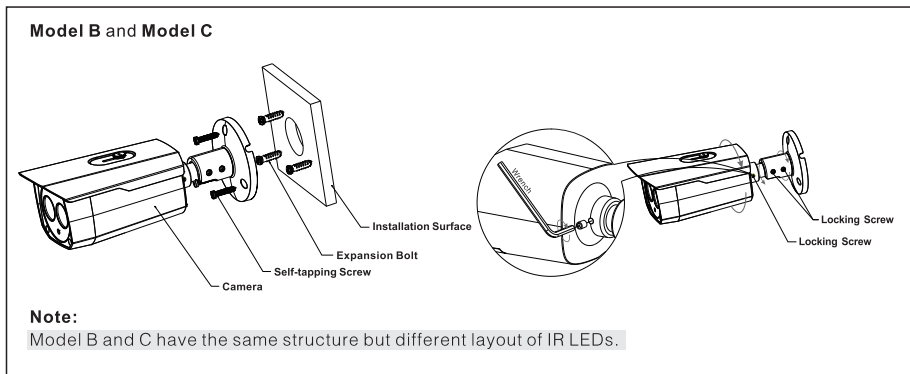
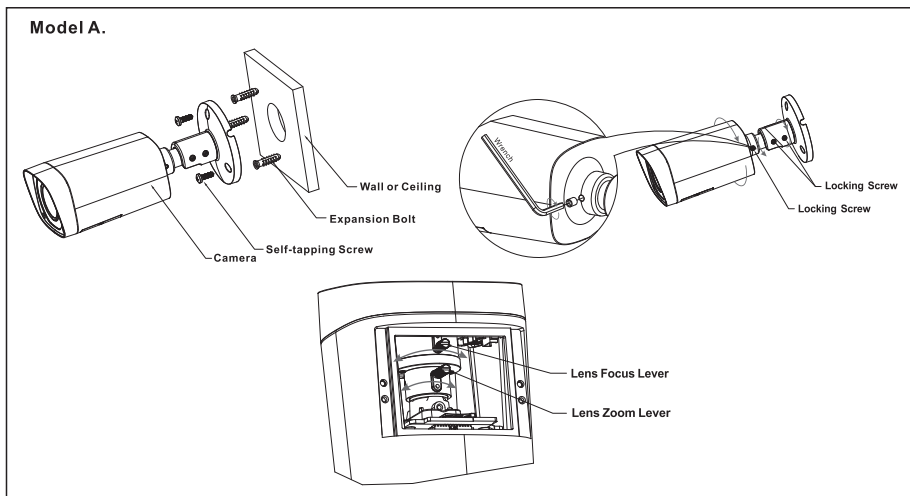
Quick Installation Guide

Attention:

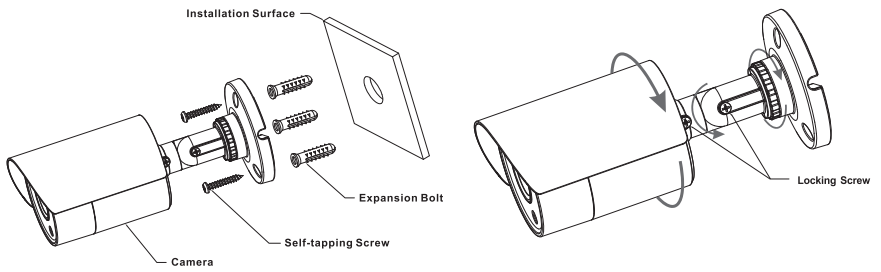
Please make sure the installation surface is thick enough to sustain at least 3X weight of the camera.

Note:

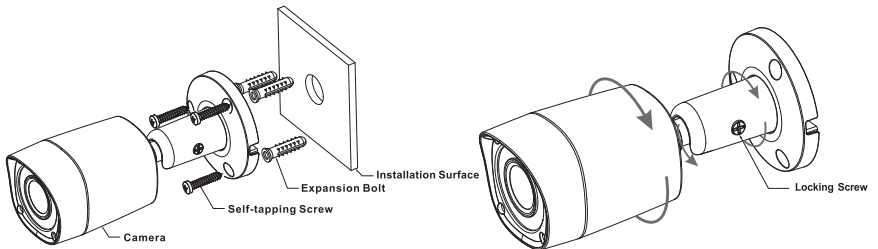
- If you want to install in the wood surface, expansion bolts are not necessary.
- The screw depth shall reserve 8mm–10mm to secure the bracket.



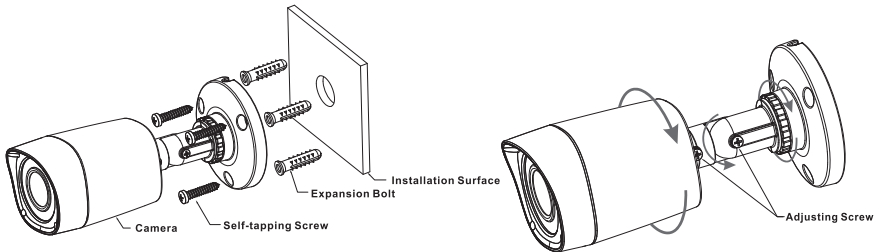
Model E.



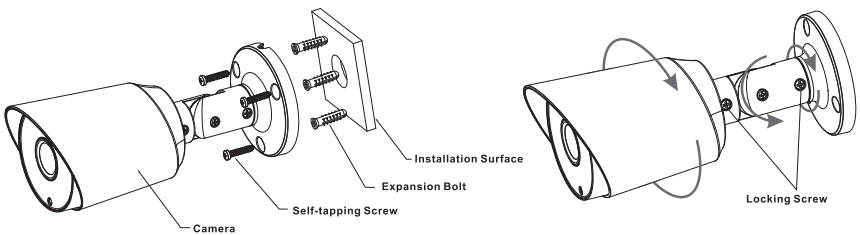
Model F.



Model G.



Model H.



Note

- This manual is for reference only. Please visit our website or contact your local service engineer for more information.